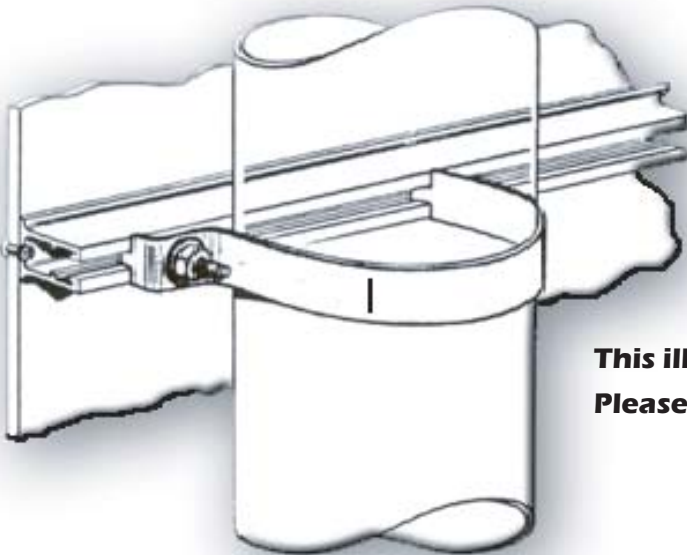


# INSTRUCTIONS

## POST MOUNTING

# GRIPPIT

- 1** Insert the bolts (4 per channel) into the channel slots.
- 2** Lay the post(s) onto the channels at the appropriate distance. Make sure a bolt is positioned either side of the post.
- 3** In line with each channel, surround the post(s) with each clip. The bolts should protrude through the clip holes.
- 4** Secure the nuts onto the bolts with a ratchet or spanner.



This illustration shows a circular sign post.  
Please note all display boards use square posts.

- 5** Posts should be dug a minimum of 0.5M below ground.

## OPERATION & MAINTENANCE

**CAREFUL WHEN OPENING IN HIGH WINDS!  
AN EXTRA PERSON MAY BE NECESSARY**

### DOOR OPERATION

The door is hinged at the side and opens outwards from the opposite side.  
The screen is vandal resistant PET plastic and not glass.  
The same key opens both locks.

### MAINTENANCE

The unit should be cleaned with detergent and water.  
Metal polish or abrasive substances should not be used.  
Stubborn graffiti should be lightly removed with 'METHS' or special Grippit Anti-Graffiti Remover.

TEL: 0870 080 2326 [www.grippit.co.uk](http://www.grippit.co.uk)